

MP-2000 – Dual Channel LVDT/RVDT Readout/Controller



- Large backlit dual channel display
- Menu driven setup and calibration
- 100 to 240 VAC line powered
- MIN, MAX, TIR, A+B and A-B functions
- 2.5, 3.3, 5 and 10kHz selectable excitation
- Analog and RS232 outputs
- Four user programmable set-points
- Splash-proof front panel with status LEDs
- ¼ DIN standard panel mounting

DESCRIPTION

The **MP-2000** is a dual channel, microprocessor based readout and set-point controller designed for industrial and process control applications utilizing any LVDT/RVDT-based measurement device. In addition to displaying real-time readings of LVDTs, RVDTs and gage heads, the MP2000 is also capable of displaying values such as MIN, MAX, TIR (Total Indicated Run-out), A+B (sum of two channels) and A-B (difference between two channels). A 17-bit analog-to-digital converter provides excellent performance and resolution, while a standard 9-pin RS-232 communications interface provides serial data output to a PLC or PC COM port.

The MP-2000 features four user-programmable, opto-isolated, open-collector set-point outputs, which can be used to monitor any display parameter. Any combination of high or low set-points may be selected, while programmable high and low hysteresis values may be used to create 'set-point dead band' for prevention of control relay chatter. For the control of external relays, an optional 'Relay Board' with a current handling capability of 5A per relay is available and highly recommended.

A front panel pushbutton permits auto-zeroing (tare) over the full range. Auto-calibration eliminates calculation of slope or gain factors. All calibration and setup parameters are stored in nonvolatile memory for retention on power down or interruption. The zero and min/max reset functions can be hard wired for remote control. The large, easy to read, bit-mapped display provides user-friendly, menu driven prompts for simple push-button system setup, calibration, and monitoring of in-process measurement parameters. A real-time scaled analog output, proportional to the digital readout is provided for each LVDT channel. An RS-232 output is provided for data transfer to a computer at 1200 to 19.2K baud.

Also see our other LVDT/RVDT signal conditioner models:

LIM-420	24VDC supply, 4-20mA (3-wire) output, open circuit board
LVM-110	±15VDC supply, ±10 and 0 to 10VDC outputs, open circuit board
LDM-1000	10 to 30VDC supply, DC voltage and 4 to 20mA outputs, DIN rail mountable
ATA-2001	Line powered, DC voltage and current outputs, push-button programmable
IEM-422	Line powered, 4-20mA output, NEMA-13 rated enclosure
PML-1000	AC or DC supply, DC voltage, current and RS485 outputs, 1/8 th DIN panel meter,

Measurement Specialties, Inc. (NASDAQ MEAS) offers many other types of sensors and signal conditioners. Data sheets can be downloaded from our web site at: <http://www.meas-spec.com/datasheets.aspx>

MEAS acquired Schaevitz Sensors and the **Schaevitz®** trademark in 2000.

FEATURES

- Versatile dual channel display
- Software selectable gain and excitation
- 4 user-programmable set-points with LED indicators
- Master/Slave sync input/output for multiple MP-2000s
- Remote zero and min/max reset
- Rugged extruded aluminum housing

APPLICATIONS

- Pass/fail part sorting
- Concentricity/roundness gaging
- Press cycle control
- Part classification
- Material thickness measurement
- Industrial process control

MP-2000 Dual Channel LVDT/RVDT Readout/Controller

PERFORMANCE SPECIFICATIONS

ELECTRICAL SPECIFICATIONS	
Power requirements	100 to 240 VAC $\pm 10\%$, 47 to 63Hz
Display	
Digits (5)	0.4 [10] high, bitmapped LCD, electroluminescent backlit
Range	± 99999
Decimal point position	User selectable
Annunciator lights (LED)	Each of the four set-points, zero, and preset
Transducer excitation	
Voltage	1 or 3Vrms (<i>user selectable</i>)
Oscillator frequency	2.5, 3.3, 5 or 10kHz (<i>user selectable</i>)
Current drive capability	25mA maximum per LVDT
Transducer requirements	
Transducer type	LVDT or RVDT with 5 or 6 electrical connections
Full scale output	0.36 to 1.2VRMS
Input (primary) impedance	40 Ω min with 1VRMS excitation; 120 Ω min with 3VRMS excitation
Amplifier characteristics (transducer input)	
Input sensitivity range	High gain: 0.36 to 0.6VRMS; Low gain: 0.72 to 1.2VRMS
Input impedance	100k Ω minimum
Non-linearity	$\pm 0.02\%$ of FSO, maximum
Analog output	
Unipolar voltage output	0 to +10VDC
Bipolar voltage output	± 5 VDC (may be over-ranged to ± 10 VDC)
Response	20mS
Set-points	
Description	4 user programmable, high or low, with LED indicators
Hysteresis (dead band)	User programmable
Outputs	Opto-isolated, open collector logic outputs, 5VDC, 4mA per set-point
Relay board <i>(optional and highly recommended)</i>	Four relays, NO and NC contacts Maximum switching capability (each relay): 50VAC/30VDC, 5A
Serial communications	
Type	RS232
Speed	1200, 2400, 4800, 9600, or 19200 baud (<i>user selectable</i>)

ENVIRONMENTAL AND MECHANICAL SPECIFICATIONS	
Operating temperature range	+32°F to +131°F [0°C to +55°C]
Mounting	¼ DIN panel mount
Depth behind panel (installed)	7.7 [196] with optional relay board installed (plugged into J4 connector)

Note:

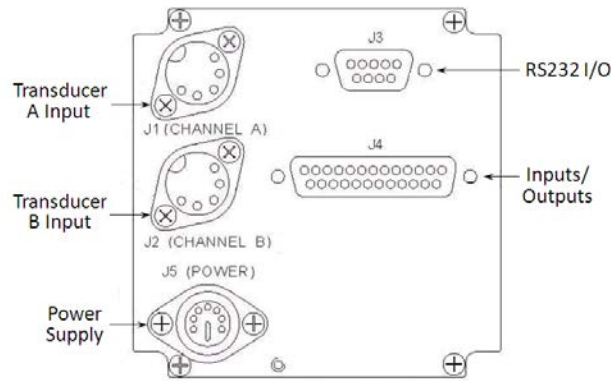
All values are nominal unless otherwise noted

Dimensions are in inch [mm]

FSO (Full Scale Output) is the largest absolute value of the outputs measured at the range ends

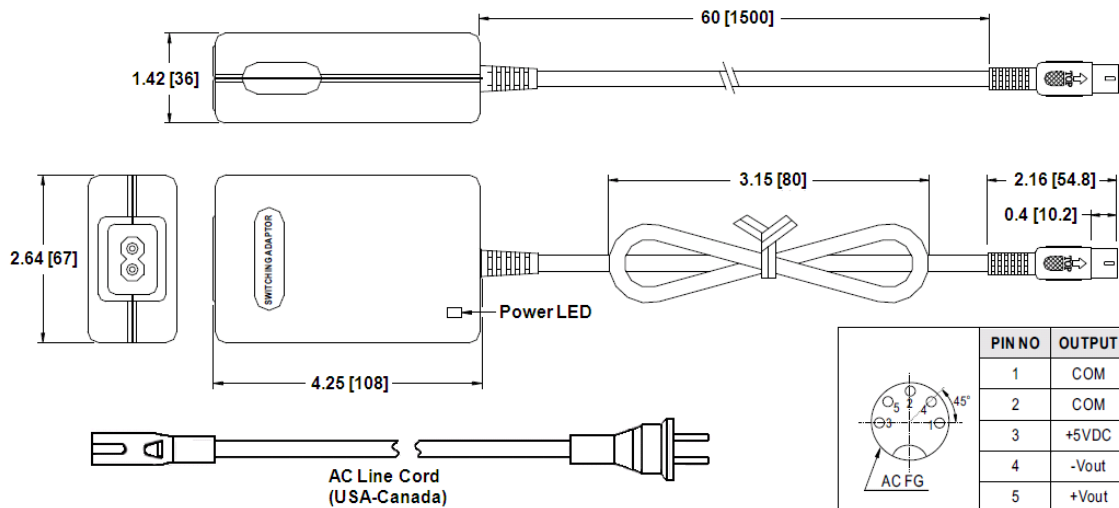
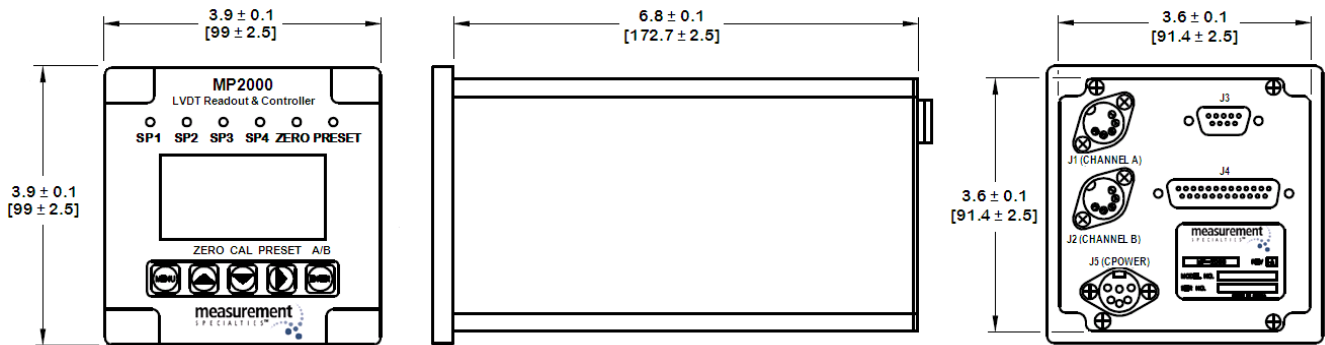
MP-2000 Dual Channel LVDT/RVDT Readout/Controller

CONNECTIONS (REAR PANEL)



Download the operation manual at: <http://www.meas-spec.com/manuals.aspx>

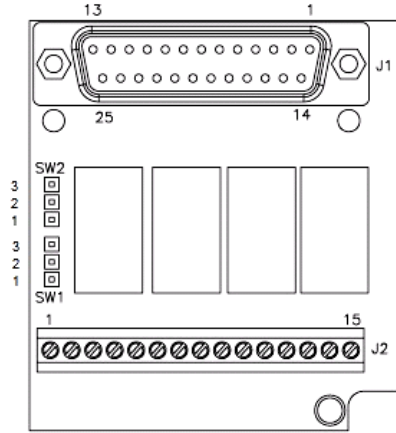
DIMENSIONS



Dimensions are in inch [mm]

MP-2000 Dual Channel LVDT/RVDT Readout/Controller

RELAY BOARD (SOLD SEPARATELY)

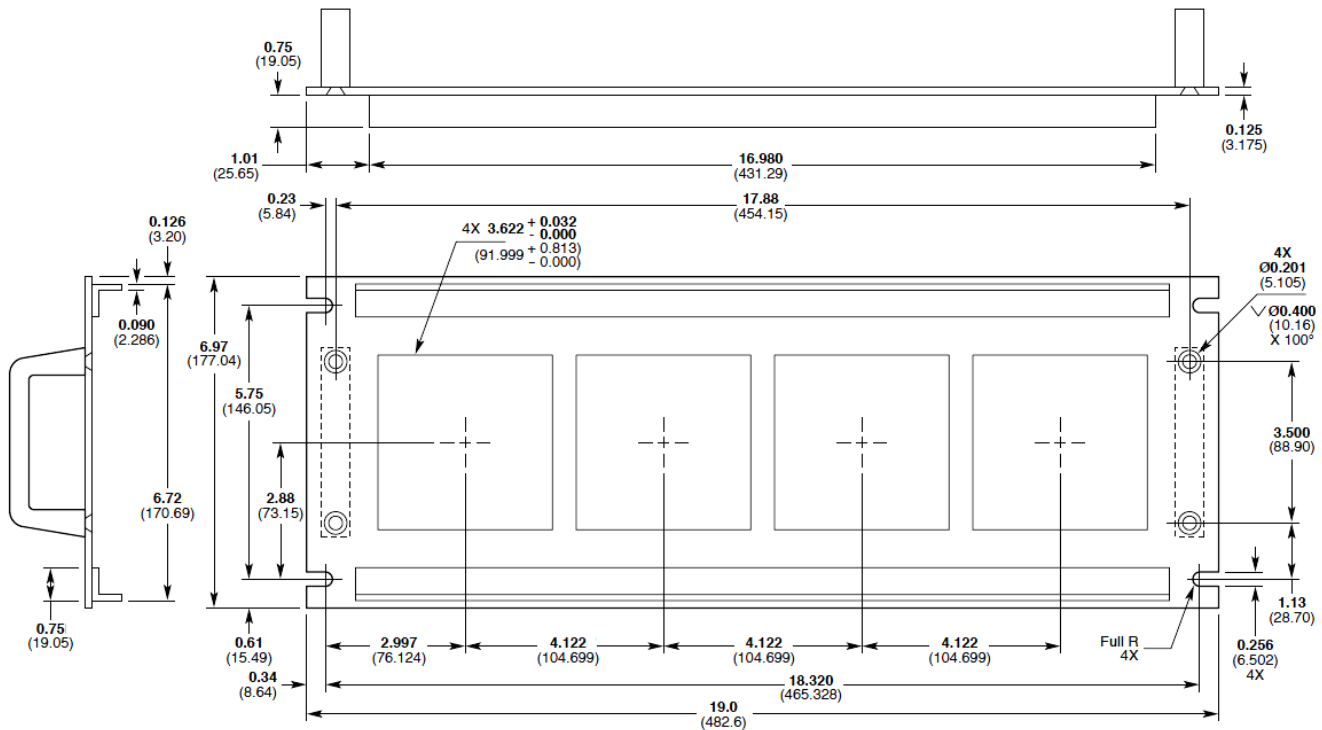


J1	
Func.	Term #
Analog Gnd	25
Digital Gnd	24
Analog Out Ch A	21
Analog Out Ch B	20
Remote Reset	19
Remote Zero	14
Osc Sync Output	8
Osc Sync Input	7
Reboot	6
RXD	5
DTR	4
TXD	3
DSR	2

J2		
Relay	Func.	Term #
Set-point 1	NO	8
	NC	7
Set-point 2	NO	6
	NC	5
Set-point 3	NO	4
	NC	3
Set-point 4	NO	2
	NC	1
	COM	11
	COM	9
	+5VDC	12
	Return	13

Jumpers		
SW1	Pin #1 and #2 shorted	Pin #2 and #3 shorted
SW2	Pin #2 and #3 shorted	Pin #1 and #2 shorted
Function	+5Vdc relay power supplied by MP-2000	External +5Vdc relay power required on terminal #12 on J2

RACK ADAPTOR (SOLD SEPARATELY)



Accommodates up to four MP-2000 Readout/Controllers
Dimensions are in inch (mm)

MP-2000 Dual Channel LVDT/RVDT Readout/Controller

ORDERING INFORMATION

Description	Part Number
MP-2000 Dual Channel LVDT/RVDT Readout/Controller	02291335-000
Rack Adaptor for up to 4 readout/controllers <i>(optional - MP-2000 readout/controllers not included)</i>	05290032-000
Relay Board <i>(optional and highly recommended)</i>	74170000-000
Cable to connect HCA/HCI/GCA/R36AS to MP2000, PTO6A-10-6S to 05BL5M (1)	04290560-000
Extension cable to connect LBB (option -001) to MP2000, PTO6A-10-6S to 05BL5M (1)	04290562-000

(1) All cables are shielded, 10 foot long, and rated 80°C [176°F] operating. Consult factory for other lengths.

Download the operation manual at: <http://www.meas-spec.com/manuals.aspx>

TECHNICAL CONTACT INFORMATION

NORTH AMERICA	EUROPE	ASIA
Measurement Specialties, Inc. 1000 Lucas Way Hampton, VA 23666 United States Phone: +1-800-745-8008 Fax: +1-757-766-4297 Email: sales@meas-spec.com Web: www.meas-spec.com	MEAS Deutschland GmbH Hauert 13 D-44227 Dortmund Germany Phone: +49-(0)231-9740-0 Fax: +49-(0)231-9740-20 Email: info.de@meas-spec.com Web: www.meas-spec.com	Measurement Specialties China Ltd. No. 26, Langshan Road High-tech Park (North) Nanshan District, Shenzhen 518057 China Phone: +86-755-33305088 Fax: +86-755-33305099 Email: info.cn@meas-spec.com Web: www.meas-spec.com

The information in this sheet has been carefully reviewed and is believed to be accurate; however, no responsibility is assumed for inaccuracies. Furthermore, this information does not convey to the purchaser of such devices any license under the patent rights to the manufacturer. Measurement Specialties, Inc. reserves the right to make changes without further notice to any product herein. Measurement Specialties, Inc. makes no warranty, representation or guarantee regarding the suitability of its product for any particular purpose, nor does Measurement Specialties, Inc. assume any liability arising out of the application or use of any product or circuit and specifically disclaims any and all liability, including without limitation consequential or incidental damages. Typical parameters can and do vary in different applications. All operating parameters must be validated for each customer application by customer's technical experts. Measurement Specialties, Inc. does not convey any license under its patent rights nor the rights of others.