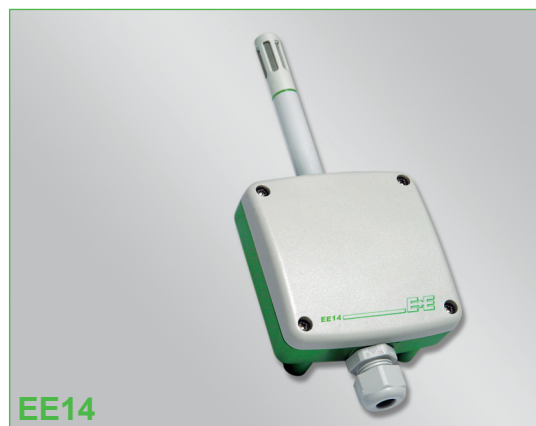


EE14 Series

Hygrostats for Wall and Duct Mounting Applications

The EE14 hygrostat is based on the well proved E+E humidity sensors of the HC series, which guarantee excellent long term stability, low hysteresis and high resistance to pollutants. The switching threshold is freely adjustable in the range of 10...95% RH with a hysteresis which can be set independently between 3% and 15% RH.

EE14 hygrostat is available for wall or duct mounting, the right choice of protection filter cap enables maintenance free function in heavily polluted environment.



Typical Applications

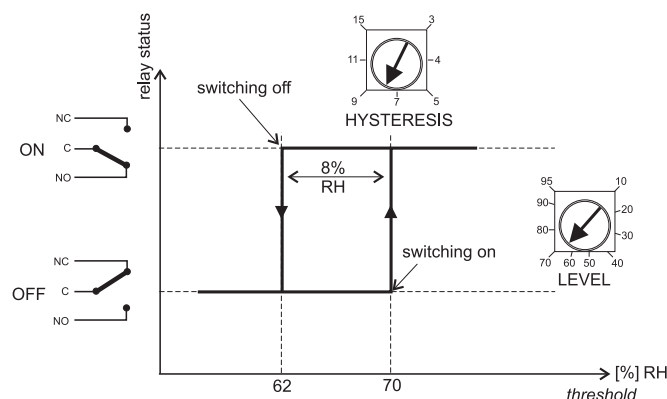
- refrigeration
- swimming halls
- climate- and ventilation controls

Features

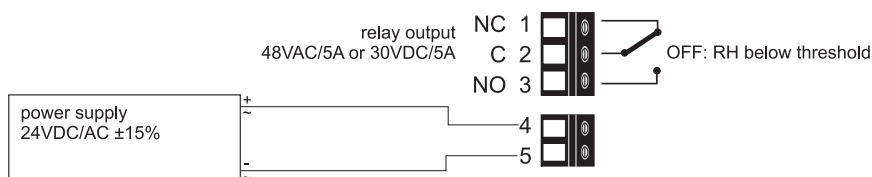
- maintenance free operation
- easy adjustment via poti
- working range 10...95% RH
- wettable

Working Principle

With a potentiometer it is possible to adjust the threshold between 10 and 95% RH. A second potentiometer is setting the switching-hysteresis between 3 and 15% RH.



Connection Diagram



Technical Data

Measuring value

| | | |
|------------------|--|------------|
| Humidity sensor | HC101 | |
| Output | centre-zero relay up to 30V DC / 5A or 48V AC / 5A | |
| | threshold | hysteresis |
| Setting range | 10...95% RH | 3...15% RH |
| Setting accuracy | ± 3% RH | |

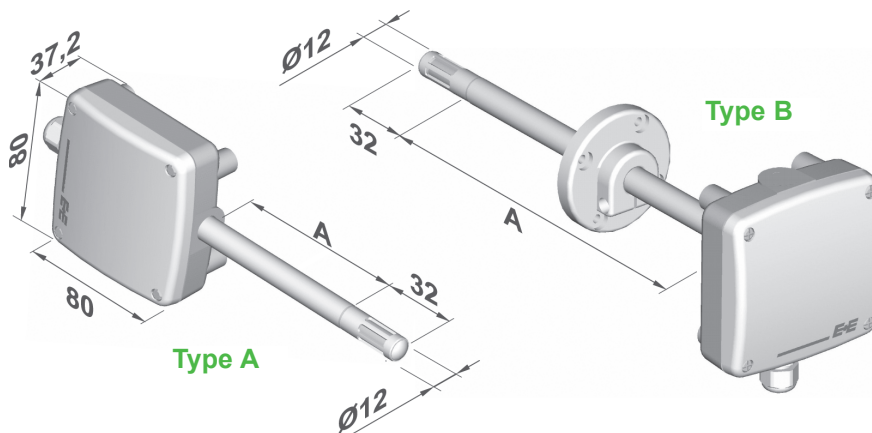
General

| | | |
|-----------------------------------|---|--------------------------|
| Supply voltage | 24V DC / V AC ± 15 % | |
| Current consumption for DC supply | typ. 12 mA | |
| for AC supply | typ. 20 mA _{eff} | |
| Summer-/winter switch (option) | switch off the hygrostat for 25 h ± 10% | |
| Electrical connection | screw terminals max. 1.5 mm ² (AWG 16) | |
| Housing/ protection class | Polycarbonat / IP65, Nema 4 | with S/W switch IP40 |
| Cable gland | M16x1.5; cable Ø 4.5 - 10 mm (0.18 - 0.39") | |
| Sensor protection | membrane filter, metal grid filter | |
| Electromagnetic compatibility | EN 50081-2 | EN 50081-1 |
| | EN 50082-2 | |
| Temperature range | working temperature: | -5...50°C (23...122°F) |
| | storage temperature: | -30...60°C (-22...140°F) |



Housing Dimensions (mm)

1 mm = 0.03937" / 1" = 25.4 mm



Ordering Guide

| HOUSING | | PROBE LENGTH (according to "A") | | FILTER |
|---------------|-----|------------------------------------|-----|-----------------------|
| wall mounting | (A) | 20 mm (0.7") | (1) | membrane filter (1) |
| duct mounting | (B) | 200 mm (7.9") | (5) | metal grid filter (6) |
| EE14- | | | | |

Order Example

EE14-A1

housing: wall mounting
 probe length: 20 mm (0.7")
 filter: membrane filter

EE14